

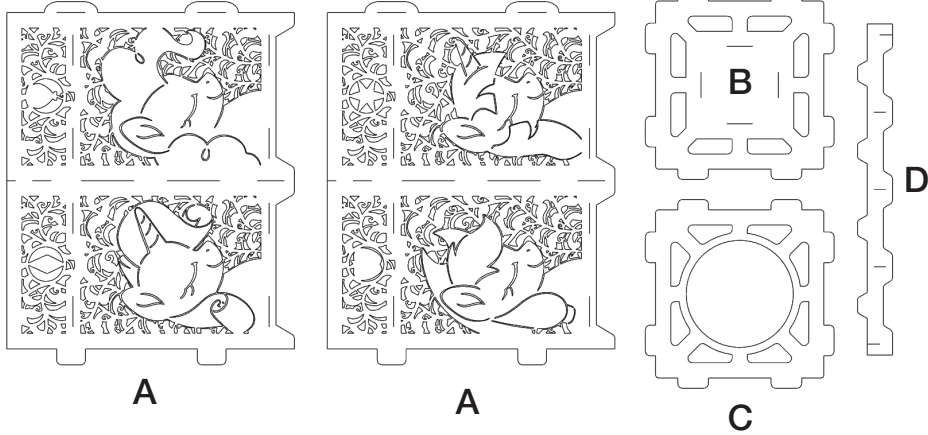
Parts List

A (x2) Side Panels*

C (x1) Top Frame

B (x1) Base Frame

D (x1) Bottom Support



*Panel designs may vary

Special Notes:

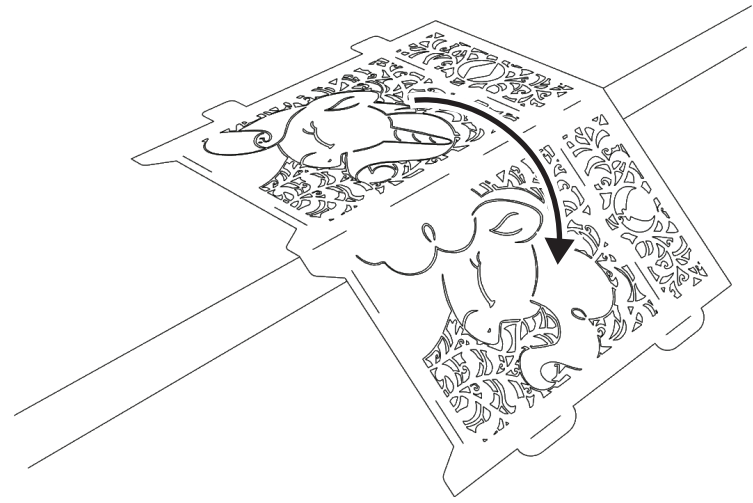
Please read through these instructions carefully before beginning construction. Take care when folding and assembling this kit, as clean construction will ensure a strong and clean looking finished lamp.

Tweezers and an xacto knife may be helpful in assembly but are not required.

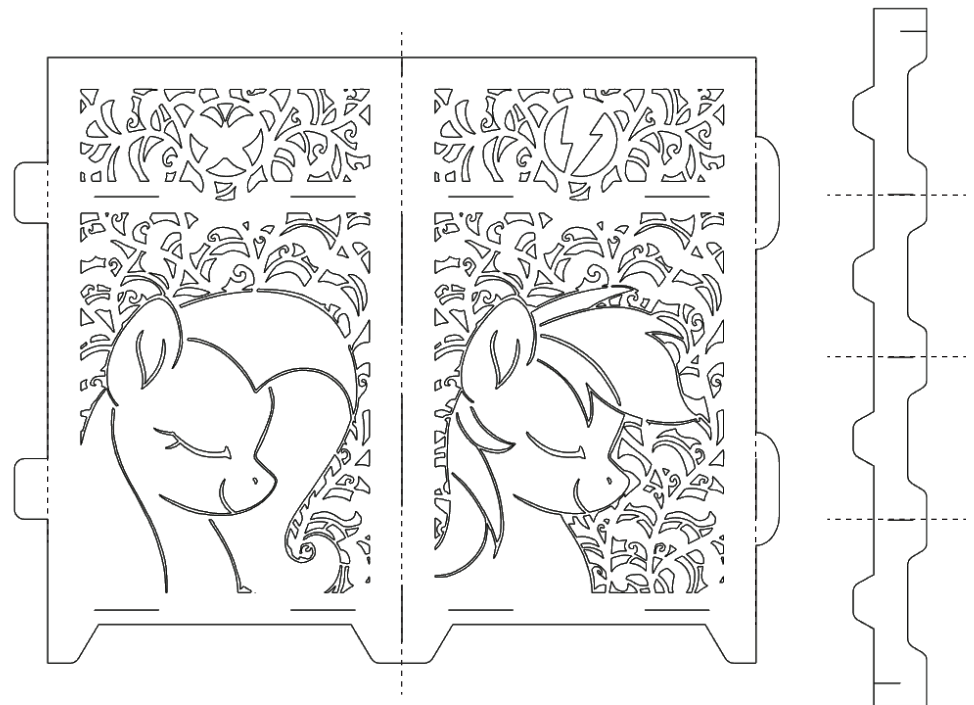
Joints are precise and will be tight-fitting, this is by design. Do not force tabs into slots but carefully work them into place to avoid unintended bends and creases

Take your time and enjoy the kit!

- 1 Before assembling, it is helpful to pre-bend the side panels **A** and the bottom support **D**.

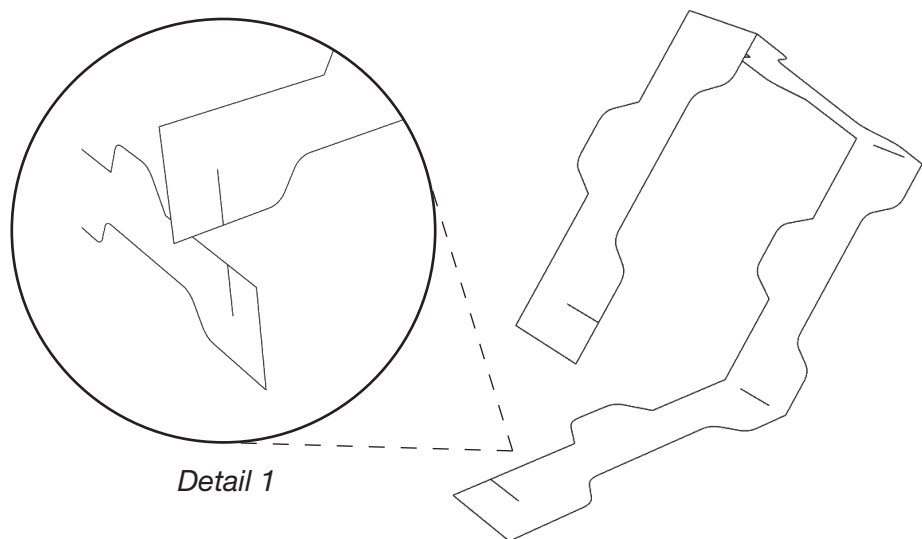


To bend, place the seam at the edge of a table with a sharp corner, and carefully apply pressure to the seam. Keep panels face-up (tabs on the left, slots on the right.)

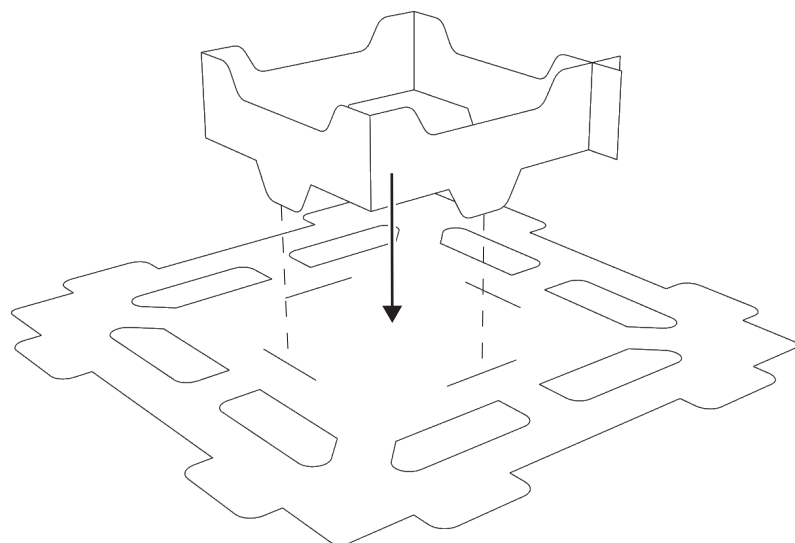


Pre-bend at the dotted lines marked in the image above.

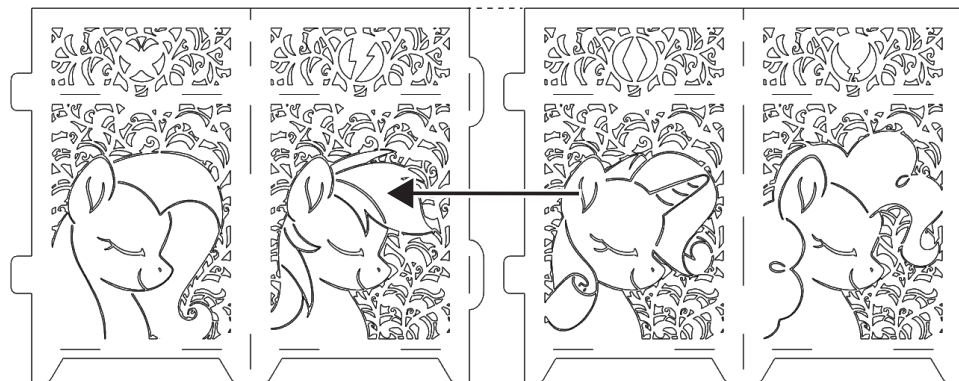
- 2 Bend the bottom support **D** into a square as shown below. The tabs at the corner where the ends meet will fit together as shown. (*detail 1*)



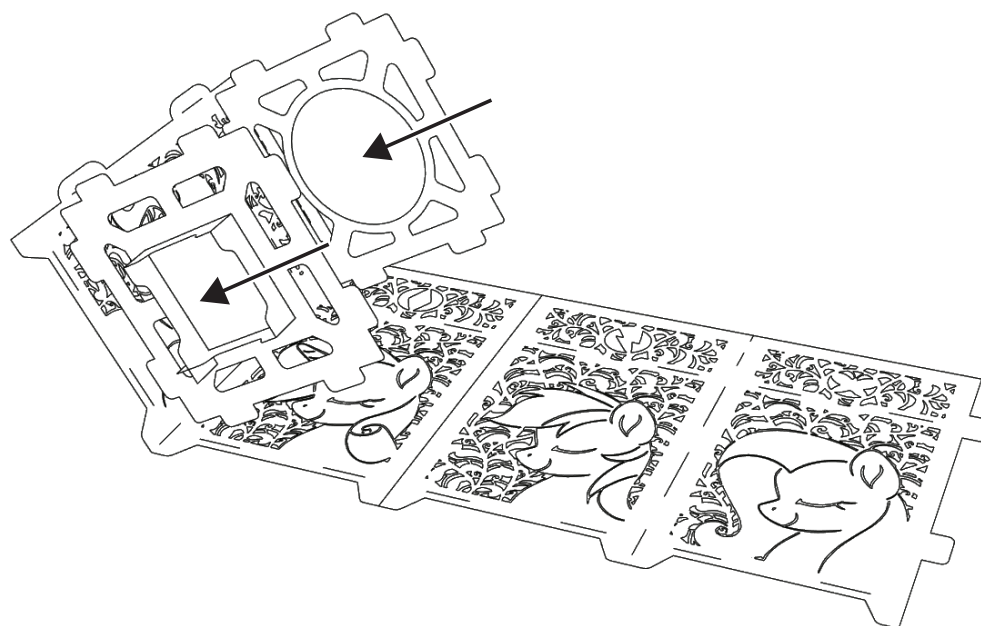
- 3 Attach the folded bottom support **D** into base frame **B**. Work one tab at a time, and carefully slide the tabs on the bottom support into the slots on the base frame. Bend the tabs down on the other side once they are fully seated.



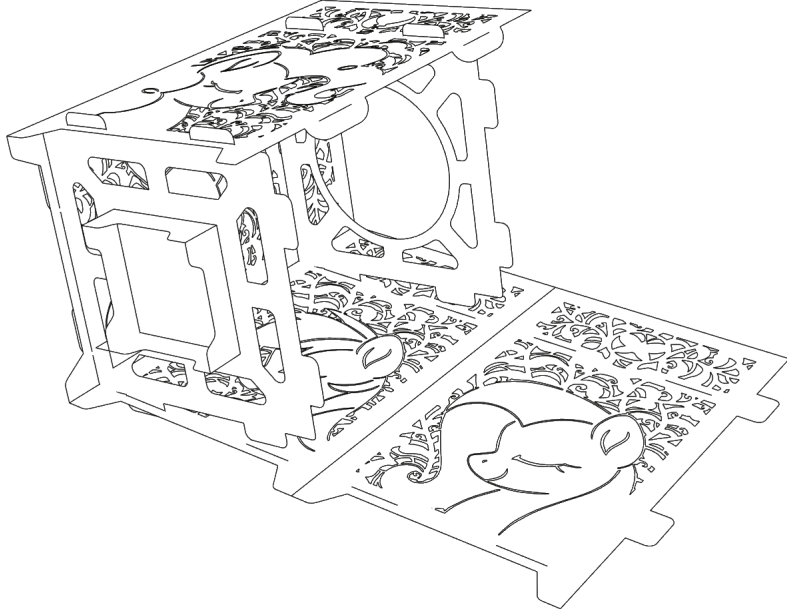
- 4 Connect the side panels **A** using the tabs and slots on the sides. Insert the tabs from the outside (the side without backing paper) to the inside. The order does not matter so feel free to rearrange the panels.



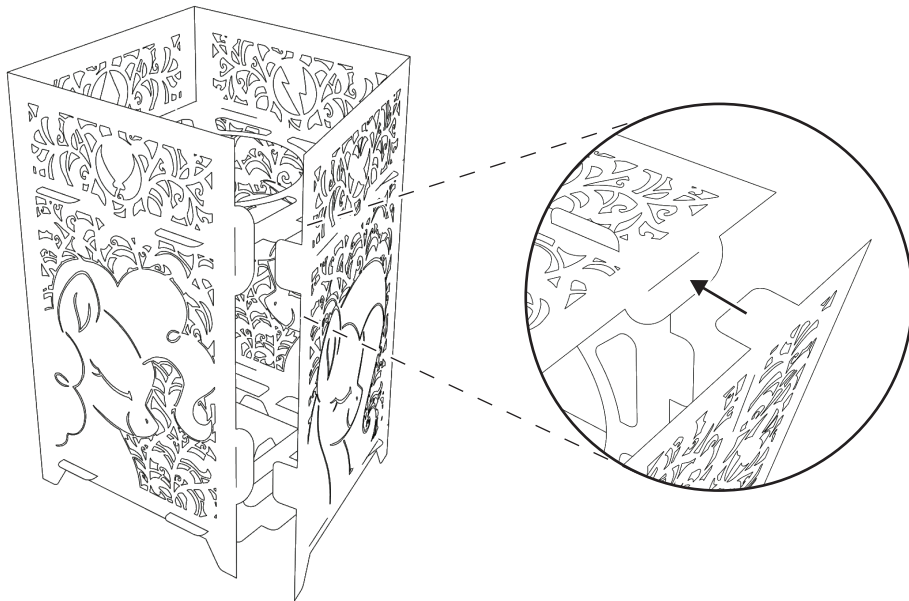
- 5 Attach the assembled base frame **B** and the top frame **C** onto the string of panels you assembled in the last step. Work panel by panel, carefully inserting the tabs on the frames into the slots on the panels. When inserting the bottom frame **B** ensure that the side with the bottom support **D** is facing the bottom side of the side panels **A**. (*as shown*)



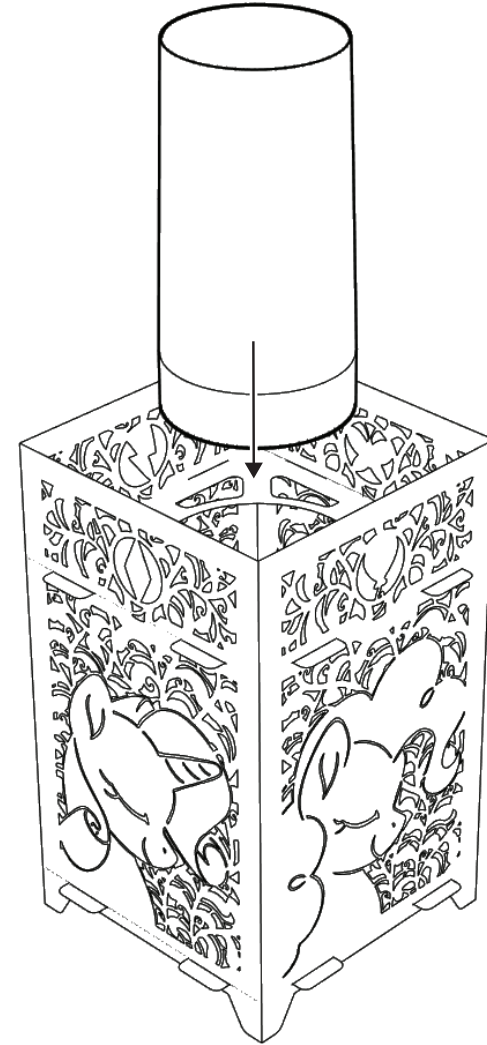
- 6 Continue to carefully insert the tabs on the top and bottom frames into the slots on the panels until you get to the last panel. Leave this panel slightly loose until the next step.



- 7 As the last panel is attached to the top and bottom frames, guide the tabs on the last panel into the slots on the first one. It may be helpful to partially seat all of the horizontal tabs before working on the panel tabs.



- 8 Ensure that all tabs are fully seated, and you should now be able to insert a light into the lamp! (*LED fixtures only, do NOT use candles or incandescent bulbs with this lamp, as it is paper and flammable!*)



Congratulations! Your lamp is now ready for use!

If you run into any trouble or have any questions, feel free to contact me at selunaphile@gmail.com!